

| tom, dick & harry



tom, dick & harry
designed by Mark Gabbertas



Tom, Dick and Harry is a striking new collection of upholstered seating designed by Mark Gabbertas.

The range has a subtle progressive design which allows all three chairs to work together in the same environment or as three individual pieces. The range is suitable for use in reception, lounge and break out areas.



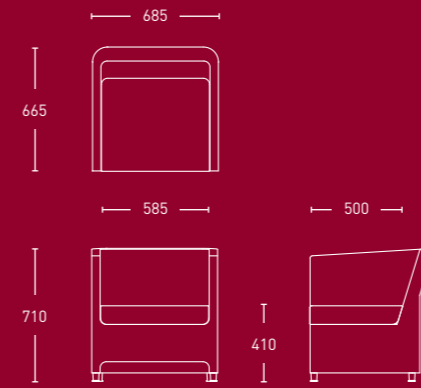
The chairs are manufactured using moulded foam bodies with metal frame inserts, achieving a slender profile without having to compromise on comfort.



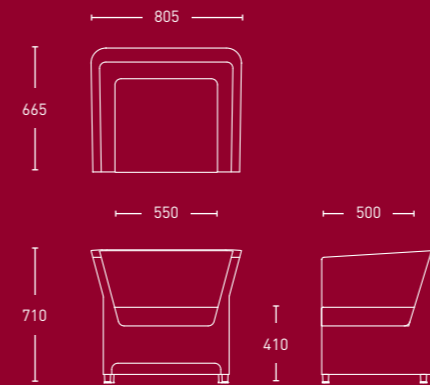
Options

The tub chairs are complemented by a choice of two feet, turned polished aluminium or chrome skid feet, and are available in a variety of fabrics. The range is completed by the Tom, Dick and Harry occasional tables.

tom



dick



harry

