

PUCK SEAT

BY Estudi Manel Molina



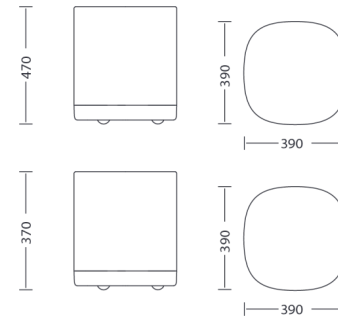
Structures

- Injected aluminium base L-2630 UNE 38-263.
- Inside upholstered in polyurethane, exterior in polyester.

Certificates

UNE-EN 16139:2013 (Level L2, extreme use).
Ecodesign Product in accordance to UNE-EN ISO 14006.

Measures



Accessories

- Locking castors
- Castors