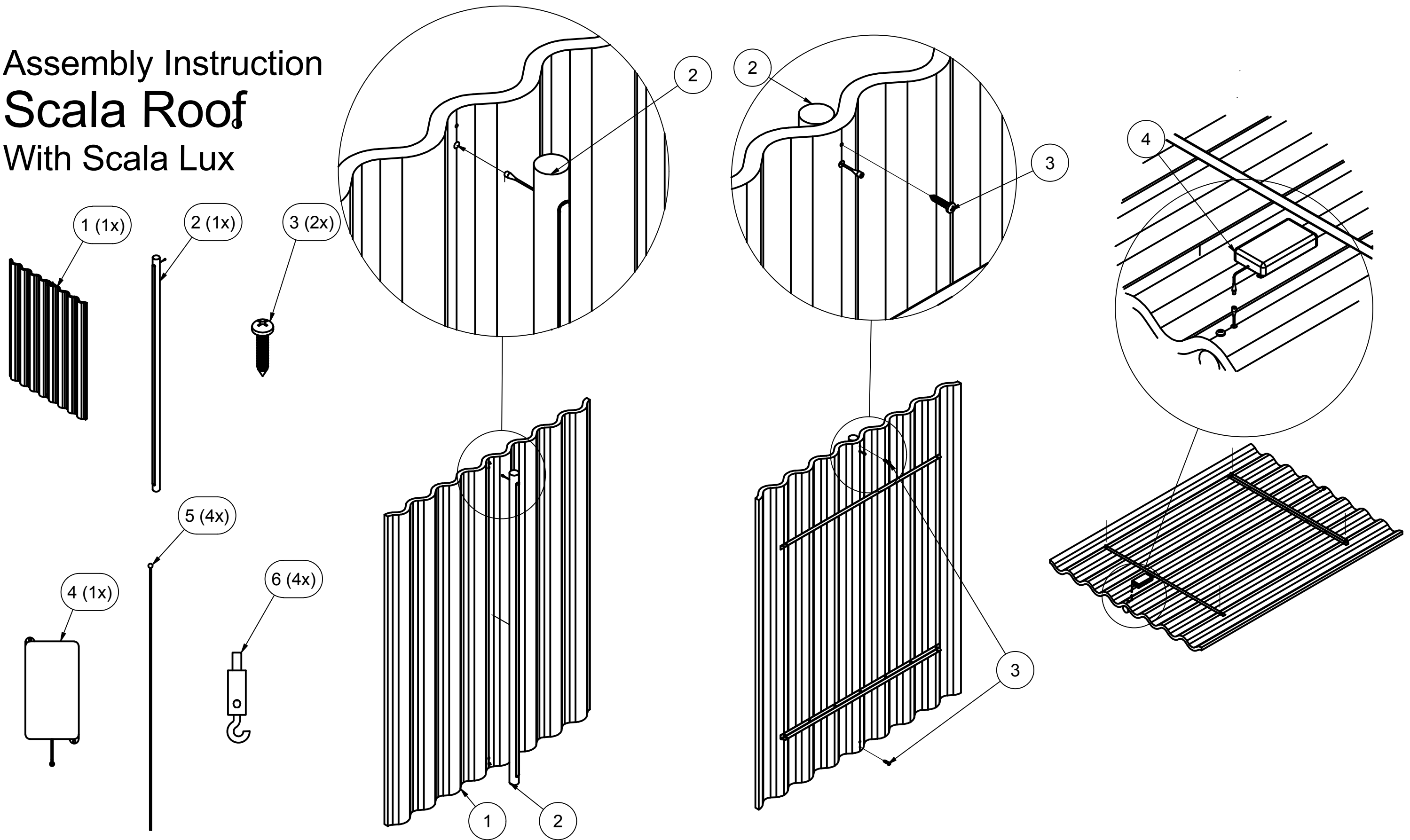


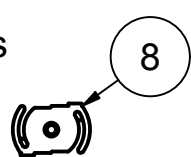
Assembly Instruction

Scala Roof

With Scala Lux

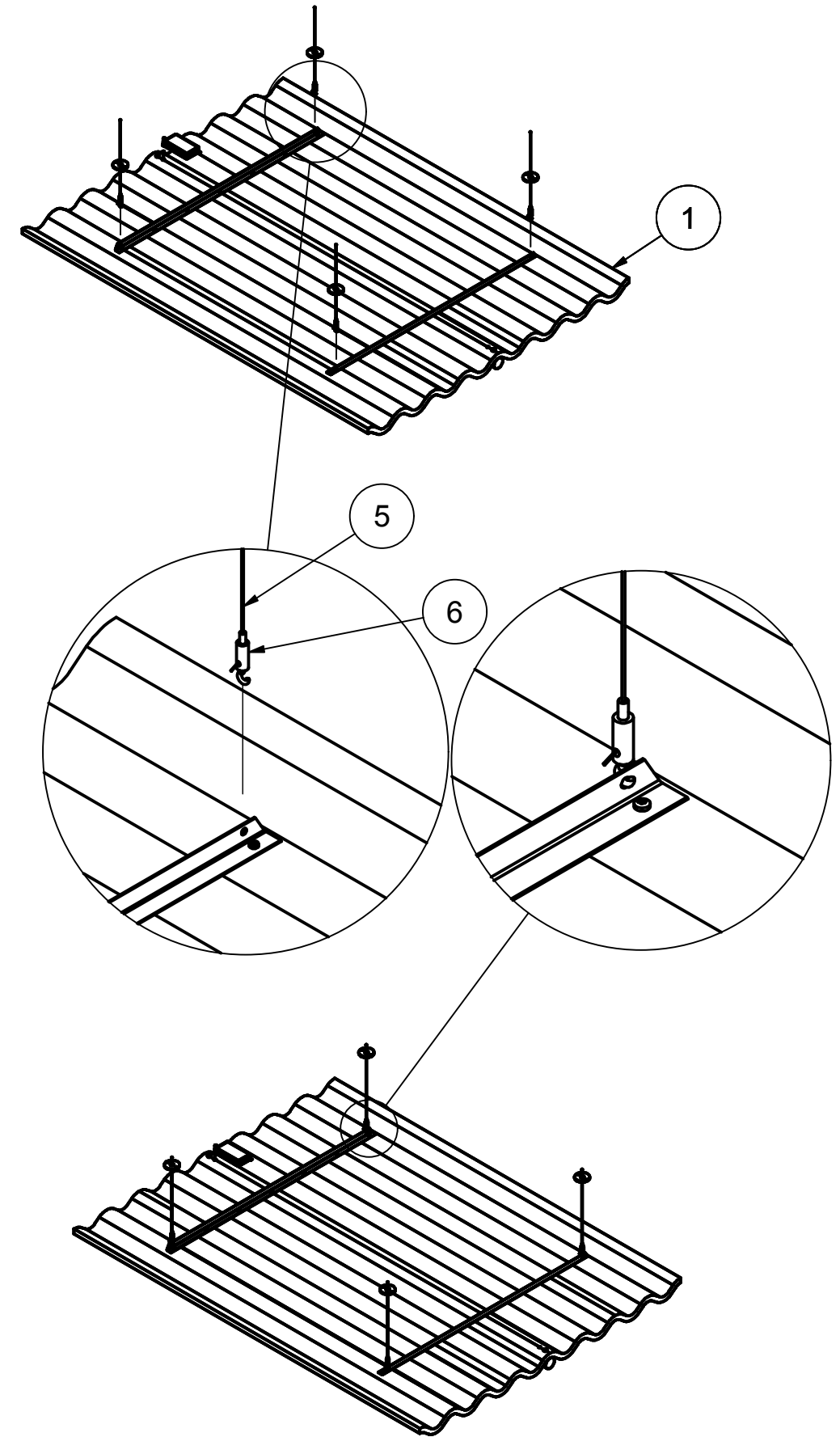
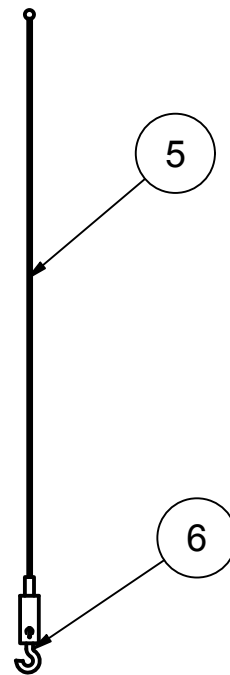
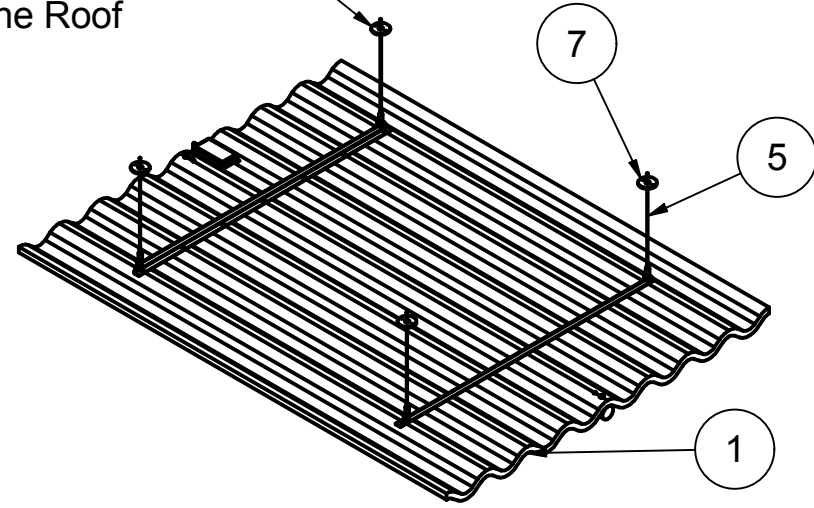


7 Roof Fittings

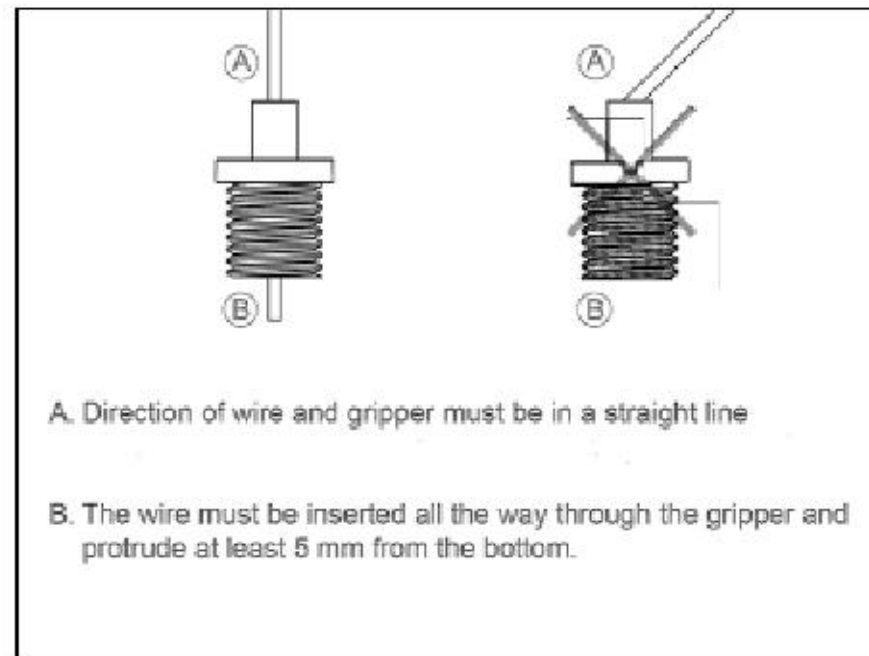
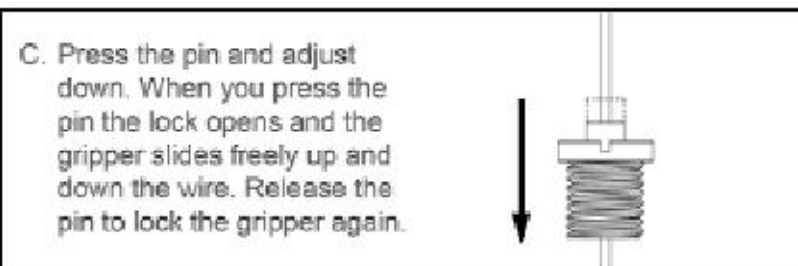
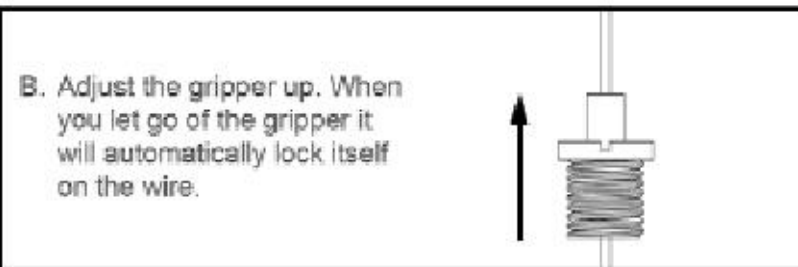
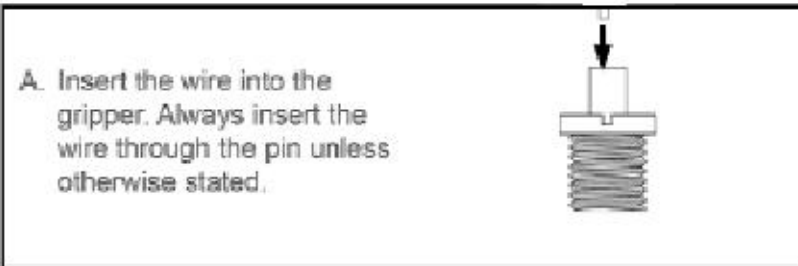


8 Roof Fittings for Modular Ceilings

Use appropriate Screws and Fittings for the Roof



A



Note: The suspension should be straight, not angled wires